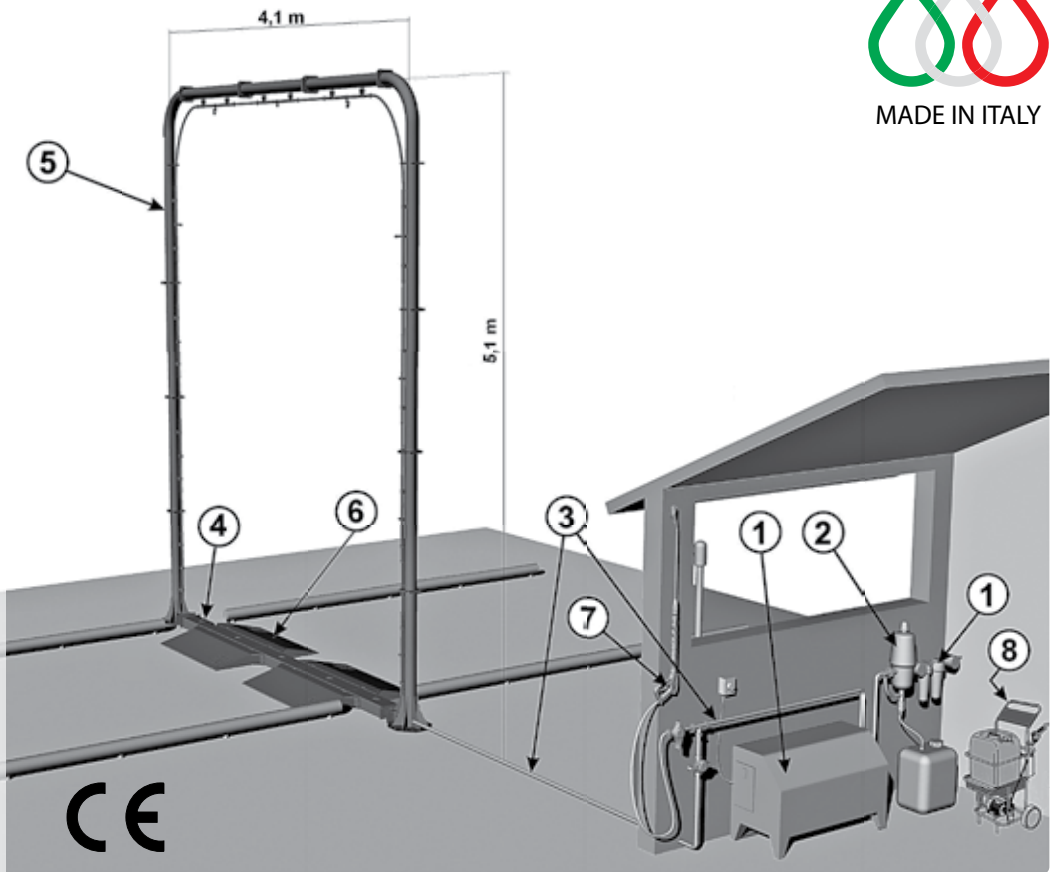




IDA
modular vehicle
disinfection system
20 bar-290 psi ,
21 l/min-5.50 USGpm,
16 nozzles

8 kits
for a complete
solution

IDA
 the modular equipment
 for the automatic
 disinfection:
 it lends itself to numerous uses,
 whenever
 a thorough disinfection
 of vehicles and chassis is
 requested daily.



The complete solution

IDA is a complete solution for the disinfection and the washing of vehicles in all companies that have to adhere scrupulously to hygienic-sanitary rules or that require a more protected environment.

The advantages of "Made in Italy"

Idrotech has twenty years experience in designing and producing fogging systems. The "Made in Italy" logo points out the use of high quality materials and the advanced know-how achieved by the company staff. This choice gives us the possibility to always find innovative solutions, suitable for our customers' requirements and for the needs of an evolving market.

Composition of individual units

1) PUMP UNIT KIT:



PUMP UNIT KIT

ZX.9910

20 bar-290 psi working pressure, 21 l/min-5.50 USGpm working flow rate. Base unit made from galvanized steel and cover from stainless steel, complete with:

- 3x400V, 1450 rpm electric motor
- 150 bar-2175 psi, 21 l/min-5.50 USGpm h.p. camshaft pump, 3 ceramic pistons and brass head
- Unloader valve
- Safety valve
- Pressure gauge
- 20" and 10" Filter kit
- Photocells for automatic operation
- In operation light • ON-OFF device for manual control with anti-ice kit.



PUMP UNIT KIT water inlet filter details

2) DISINFECTING DOSING UNIT KIT:



DISINFECTANT DOSING PUMP KIT
Dosing pump details

ZX.9901

Composed of:

- Promix dosing pump
- Connecting pipes and couplings.

3) KIT TO CONNECT PUMP UNIT:



CONNECTIONS KIT
Line intercepting valve and anti-vibration bracket details

ZX.9902

Composed of 4 AISI 304, 3 m-9.8' long, ø14x1.5mm stainless steel pipes, inlet and outlet fittings, 12 anti-vibration brackets, flexible hose for connecting to the pump unit.

4) WHEEL AND FRAME DISINFECTION KIT:



WHEEL DISINFECTION KIT
Fog nozzle details

ZX.9907

ZX.9903

Composed of 2 kits:

- **METAL FRAME KIT** (5 galvanized steel base frames of 71 cm hinged by bolts, and two galvanized stainless steel struts of 110 cm-43.3")
- **LINE KIT** (6 flexible hoses, 16 fog nozzles, plus fittings).

5) KIT TO DISINFECT THE BODY OF THE TRUCK:



MAIN BODY DISINFECTION KIT
Details of the connection between the struts

ZX.9908

ZX.9904

Composed of 2 kits:

- **Metal frame kit** (6 galvanized steel struts of 110 cm-43.3", 3 galvanized steel beams of 110 cm-43.3", the struts and beams are connected by bolts)
- **Line kit** (10 flexible hoses, 16 fog nozzles, plus fittings).

6) PLATFORM KIT:



PLATFORM KIT
Base of main body disinfection kit details

ZX.9911

Composed of: 4 galvanized steel platforms attached to the frame of the wheel disinfection kit by simple bolts.

7) VEHICLE WASH KIT:



VEHICLE WASHING KIT

ZX.9905

The pump unit is operated at its maximum performance (100 bar-1450 psi, 21 l/min-5.50 USGpm, by-pass). The kit is supplied with a 20 m-65.6 ft h.p. hose, 1200 mm-47" lance complete with gun and appropriate line intercepting valves and fittings.
The washing phase precludes the disinfecting phase.

8) MANUAL DISINFECTING KIT (OPTIONAL):



MANUAL DISINFECTION KIT

ZX.1139

Composed of a portable, independent nebulizer, equipped with a 230V monophase electric motor; 8 bar-116 psi, 80 l/min-21.0 USGpm bladed pump; hose; gun and nebulizing lance.
The manual disinfecting phase does not preclude the automatic disinfecting phase.

ZX.9999 IDA MODULAR SYSTEM (ALL THE KIT FROM 1 TO 8)

IDROBASE®

PASSION FOR WATER 



idrobaser®

www.idrobaser.com



perfectcool®

www.perfectcool.it



idrotech®

www.idrotech.com



club dei riparatori®

www.sparesclub.com

35010 BORGORICCO (PD) ITALY -

Via dell'Industria, 25

Phone +39 049 9335903 - Fax +39 049 9335922

idrobase@idrobase.com

www.idrobasergroup.com

